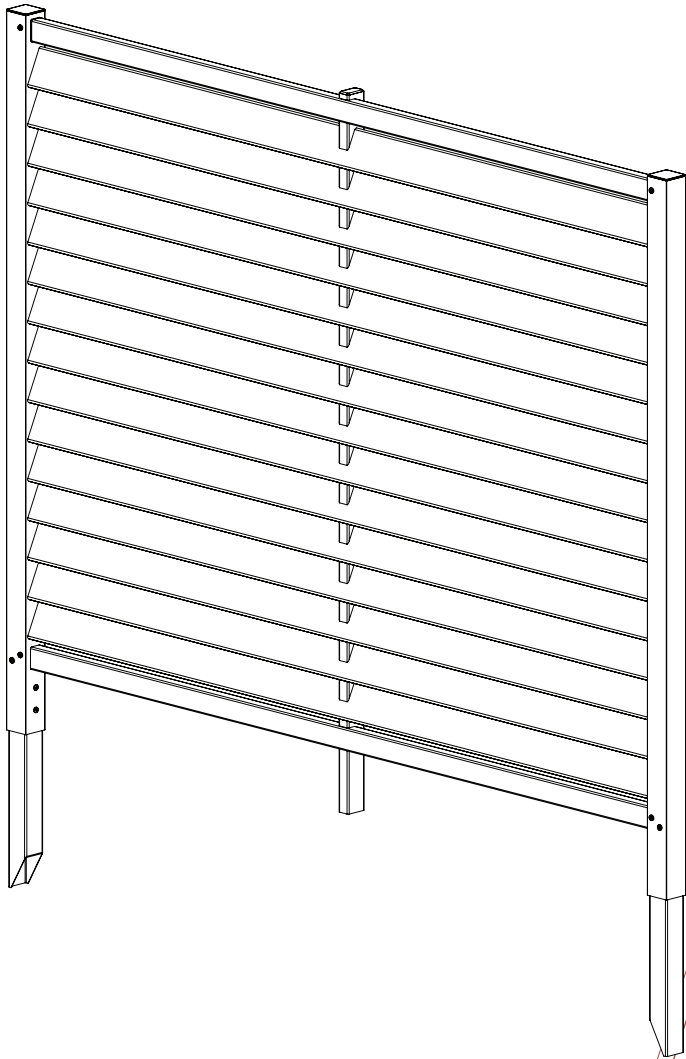


ENCLO

HIDE IT WITH STYLE



Savannah

Louvered Privacy Screen

48" H x 60" W

60 mins

Approximate assembly



Scan the QR code

for an assembly video



ASSEMBLY
INSTRUCTIONS
EC18041

www.encloscreens.com

VER. 121825

GENERAL INFORMATION

MISSING OR DAMAGED PARTS?



➤ **Visit Our Website**
so we can help you right away!
parts.nychbrands.com

* You can also reach us via phone or email.

Hours of Operation - **Weekdays 9am-5pm EST**

To better help you, **please have the following**

- Your product number (**EC18041**)
- Your affected part letters (**pages 4-6**)
- Your original product box

NEED ASSEMBLY HELP?

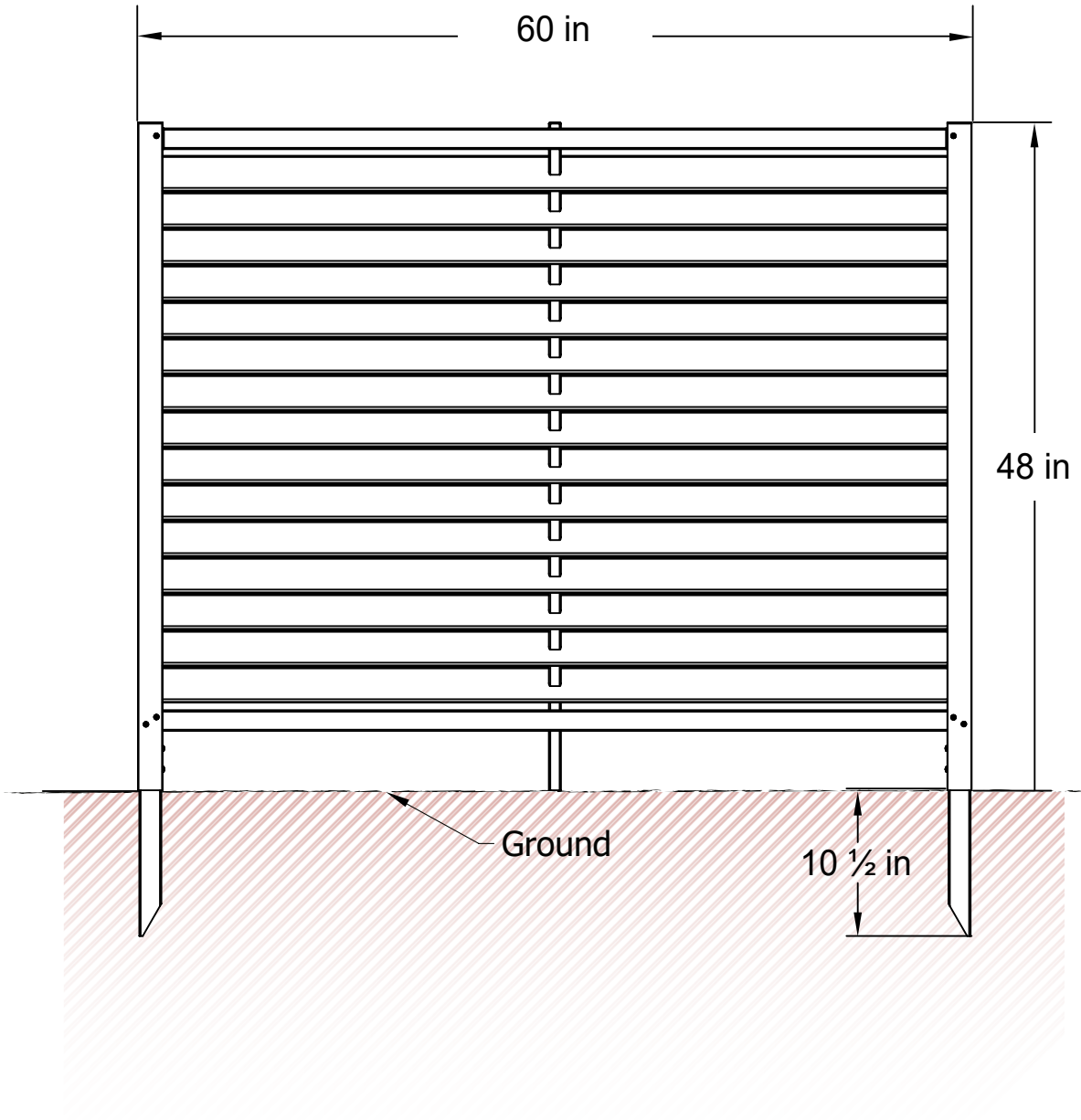
If you are having problems with assembly or installation of this product,
please contact at:

📞 **704-892-5222 / 877-234-6196** ✉ **support@encloscreens.com**

NEED TO RETURN?

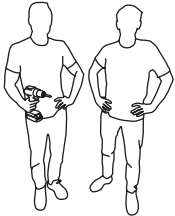
If for some reason you need to return this product, please allow us to help resolve your issues first. If you still decide to return the product, **you will need to initiate the return from the company you originally purchased from.**

DETAILED **PRODUCT DIMENSIONS & SPECIFICATIONS**

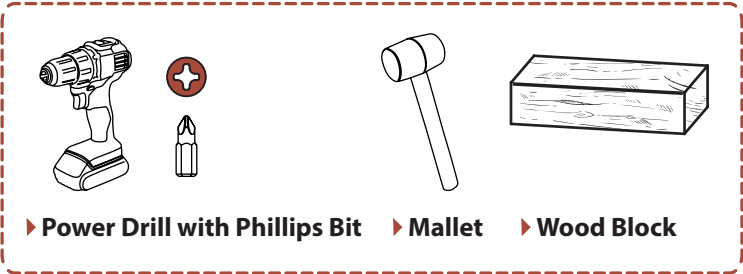


LAY OUT MATERIALS




► Tools required for a smoother installation experience.



We recommend 2 people for a smoother assembly.



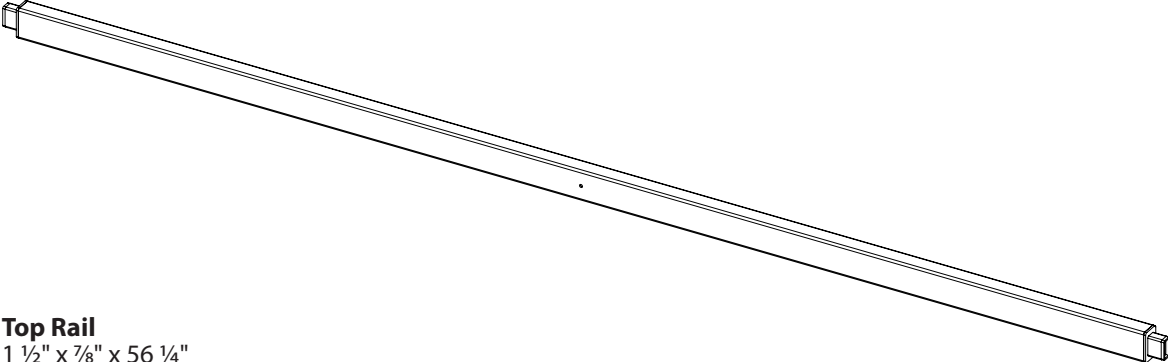
SCREEN

<p>A x1</p>  <p>Middle Post 1 1/2" x 7/8" x 48"</p>	<p>B x1</p>  <p>Left Post 1 3/4" x 1 3/4" x 48"</p>	<p>C x1</p>  <p>Right Post 1 3/4" x 1 3/4" x 48"</p>
---	---	--

LAY OUT MATERIALS

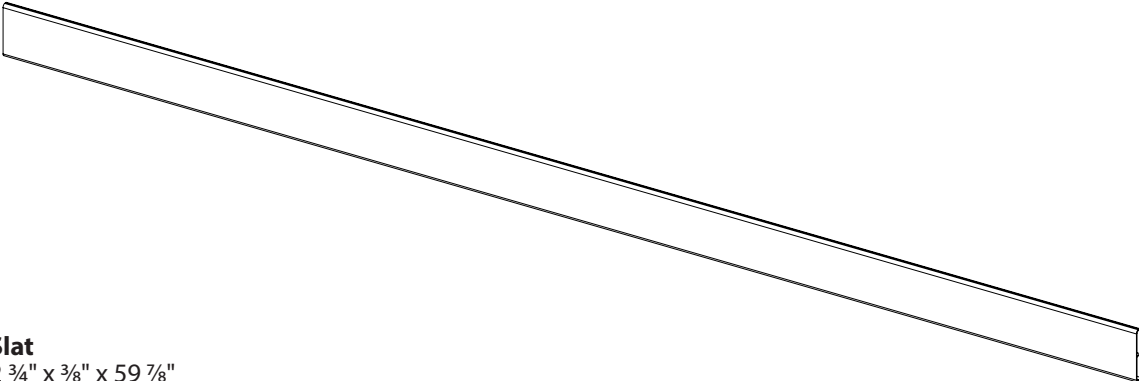
SCREEN

D x1



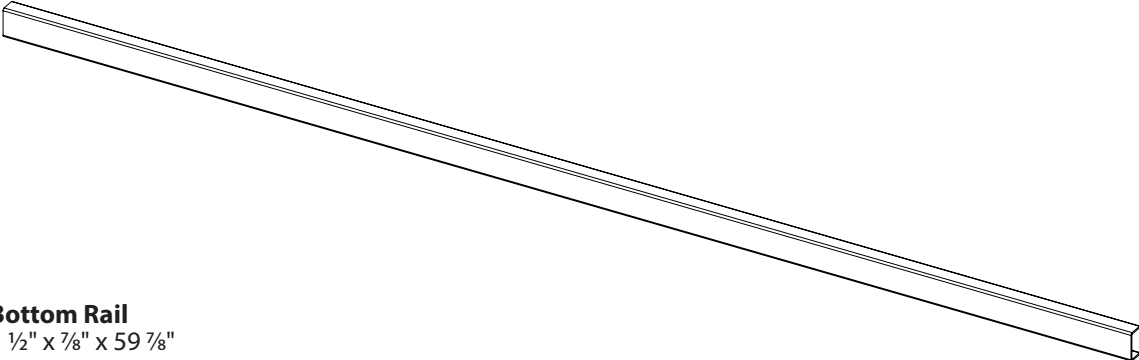
Top Rail
1 1/2" x 7/8" x 56 1/4"

E x15



Slat
2 3/4" x 3/8" x 59 7/8"

F x1



Bottom Rail
1 1/2" x 7/8" x 59 7/8"

LAY OUT MATERIALS

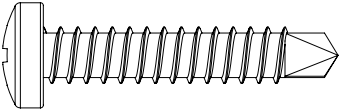
HARDWARE & ACCESSORIES

G x15



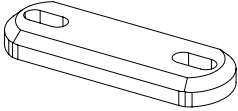
1 1/2" Self-Drilling Steel Screw

H x8



3/4" Self-Drilling Steel Screw

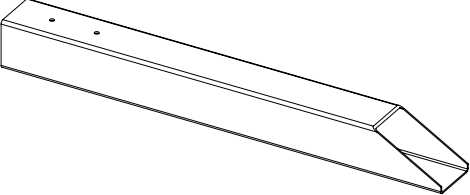
I x2



Joiner Clip

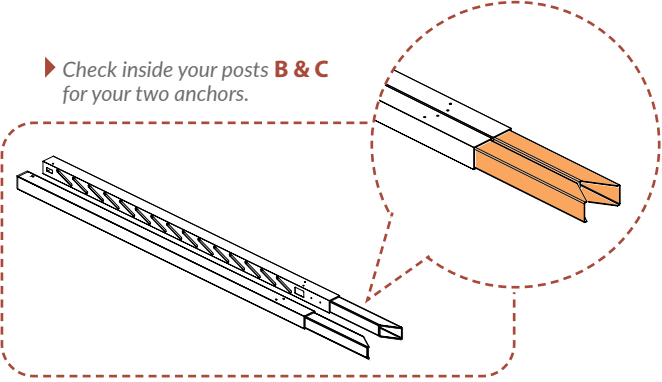
Push post (B) against a wall for stability, insert rails (E & F) and slats (D) into post.

J x2



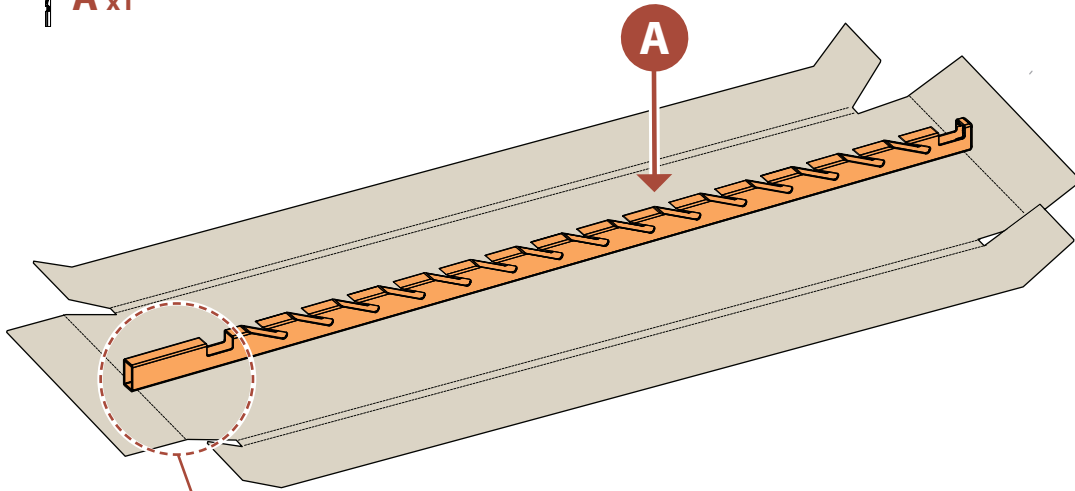
Anchor
1 5/8" x 1 5/8" x 14 3/4"

▶ Check inside your posts B & C for your two anchors.



1

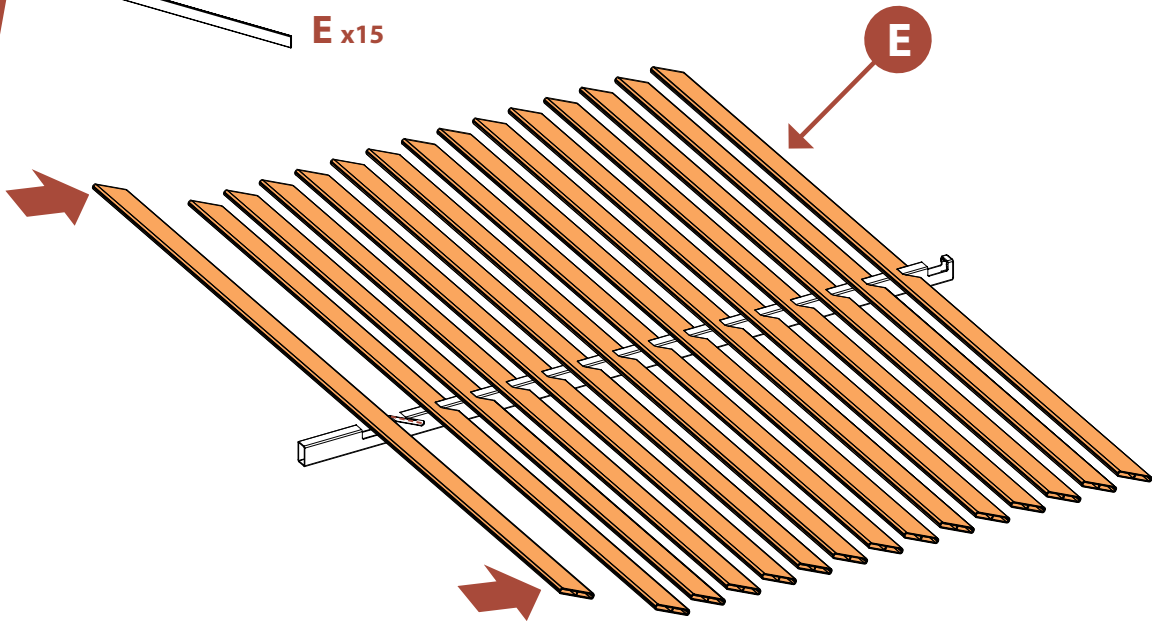
A x1



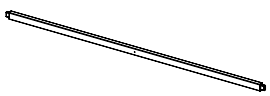
! This is the bottom end of your middle post.

2

E x15



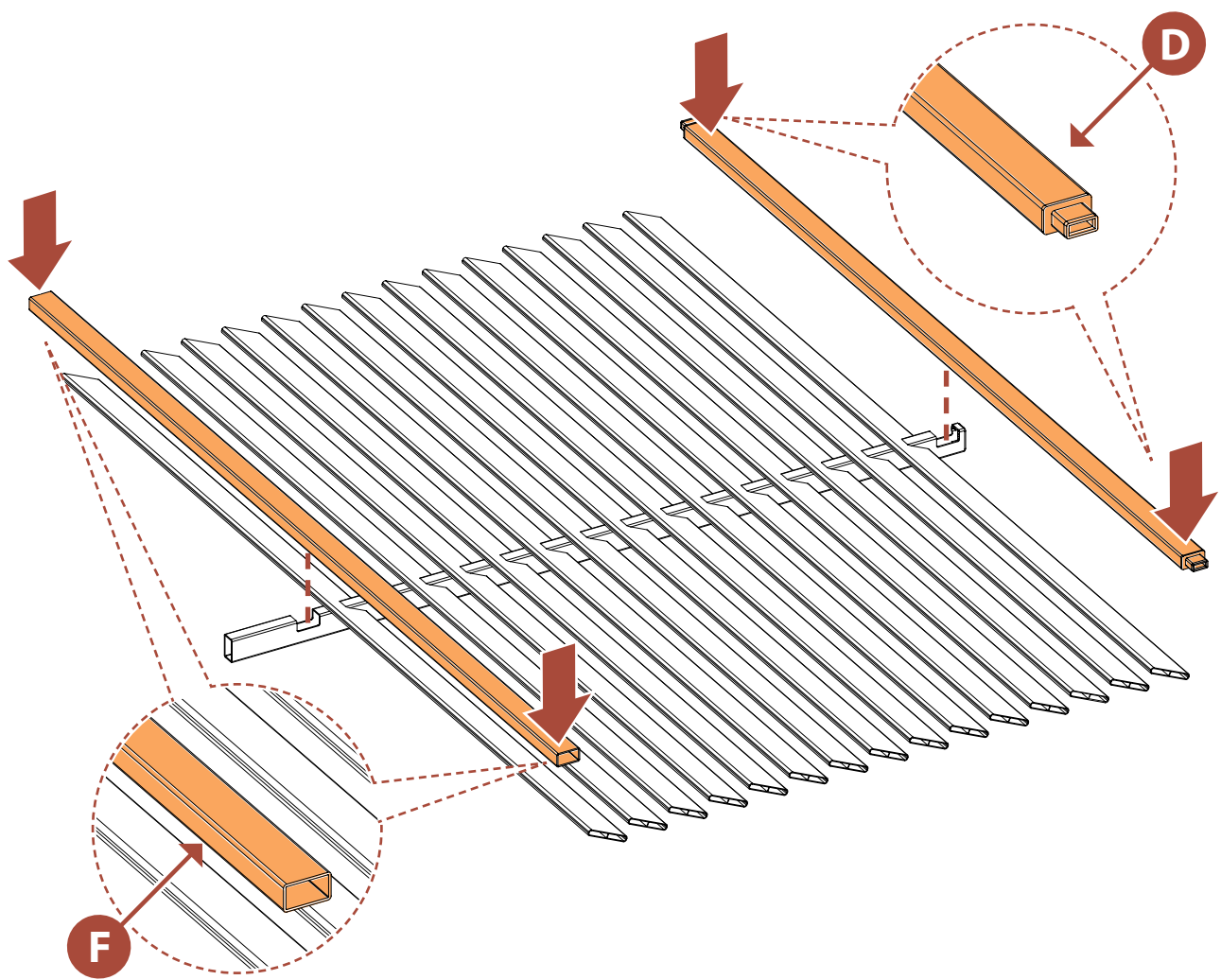
3



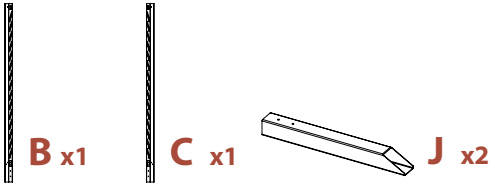
D_{x1}



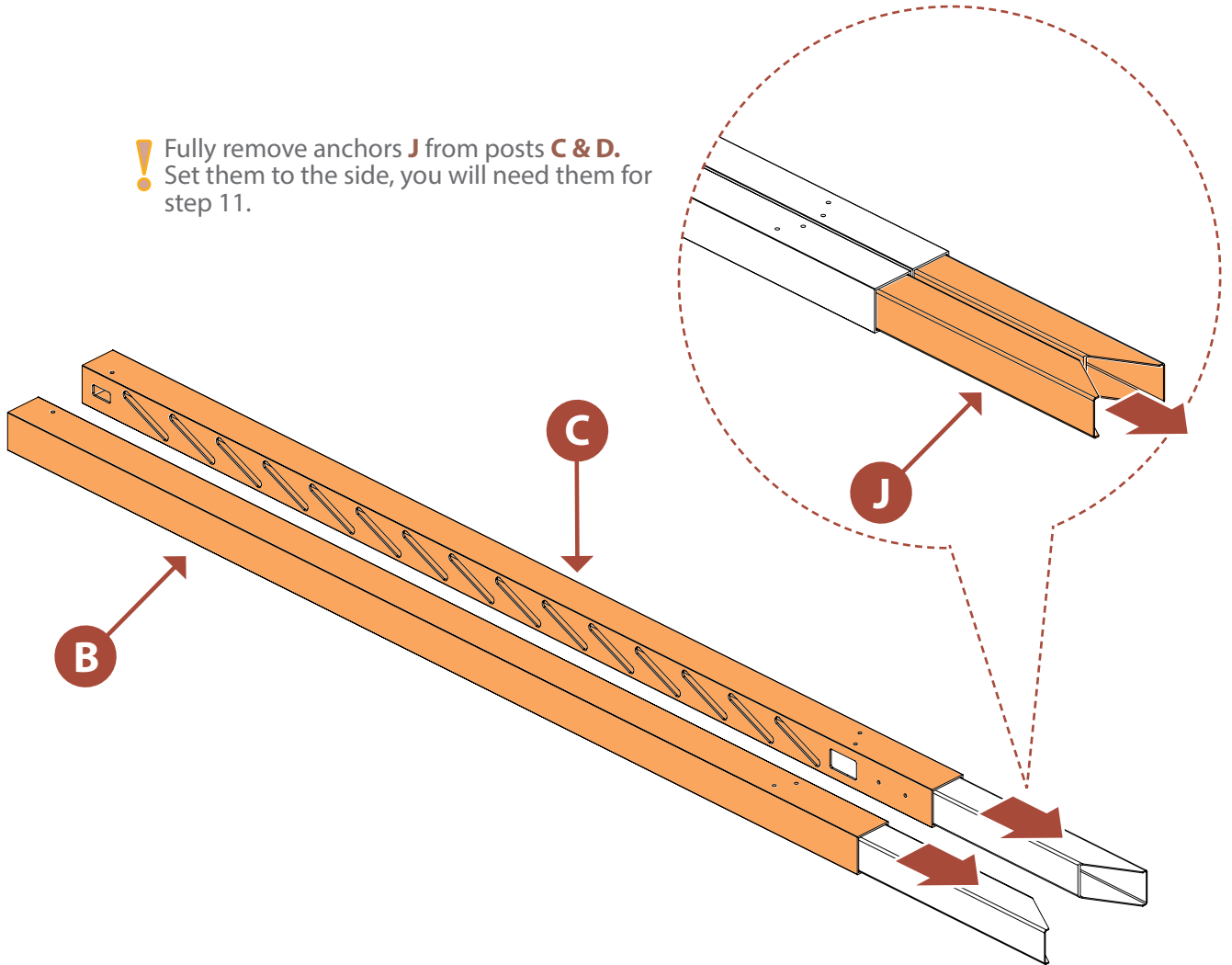
F_{x1}



4



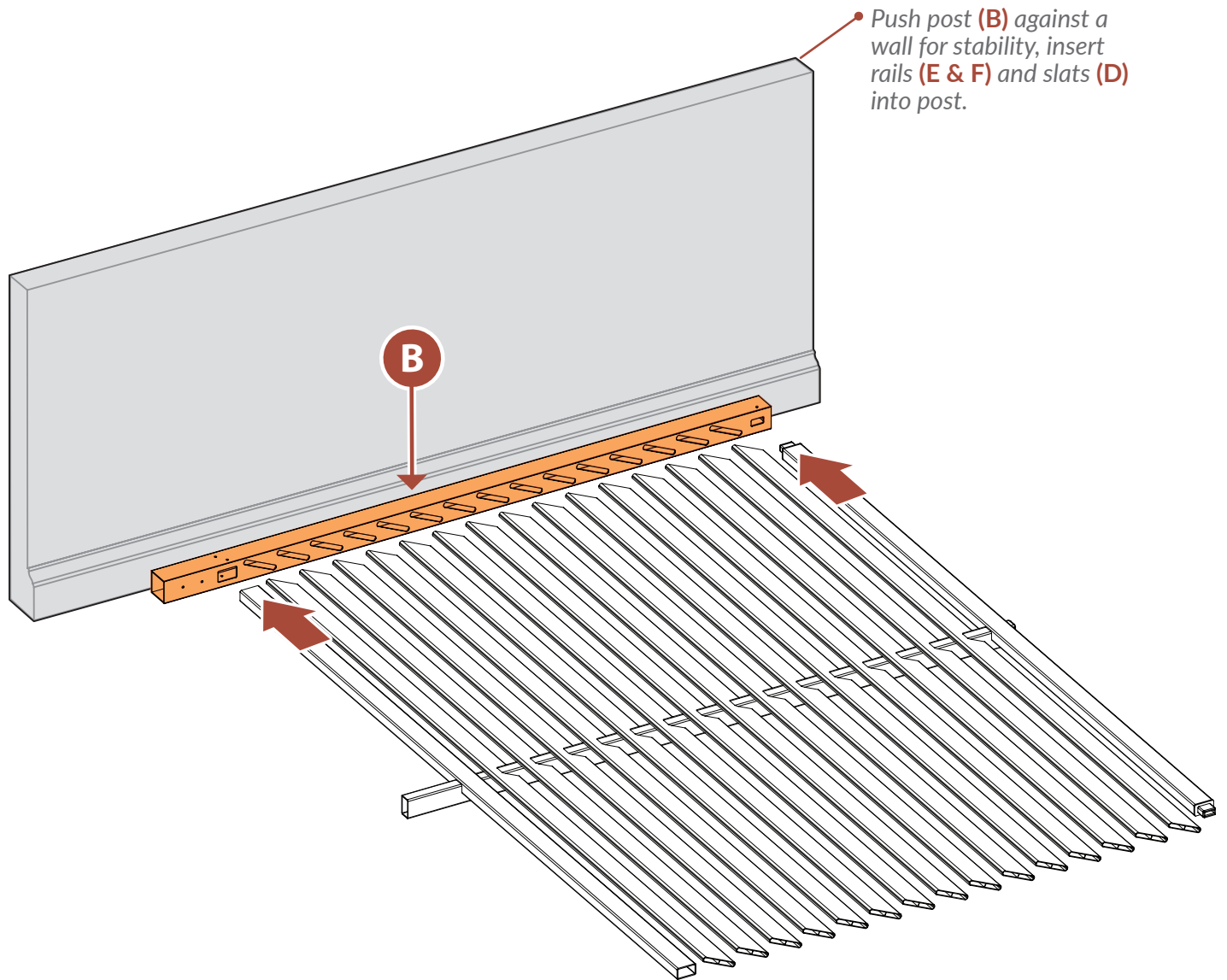
! Fully remove anchors **J** from posts **C & D**. Set them to the side, you will need them for step 11.



5



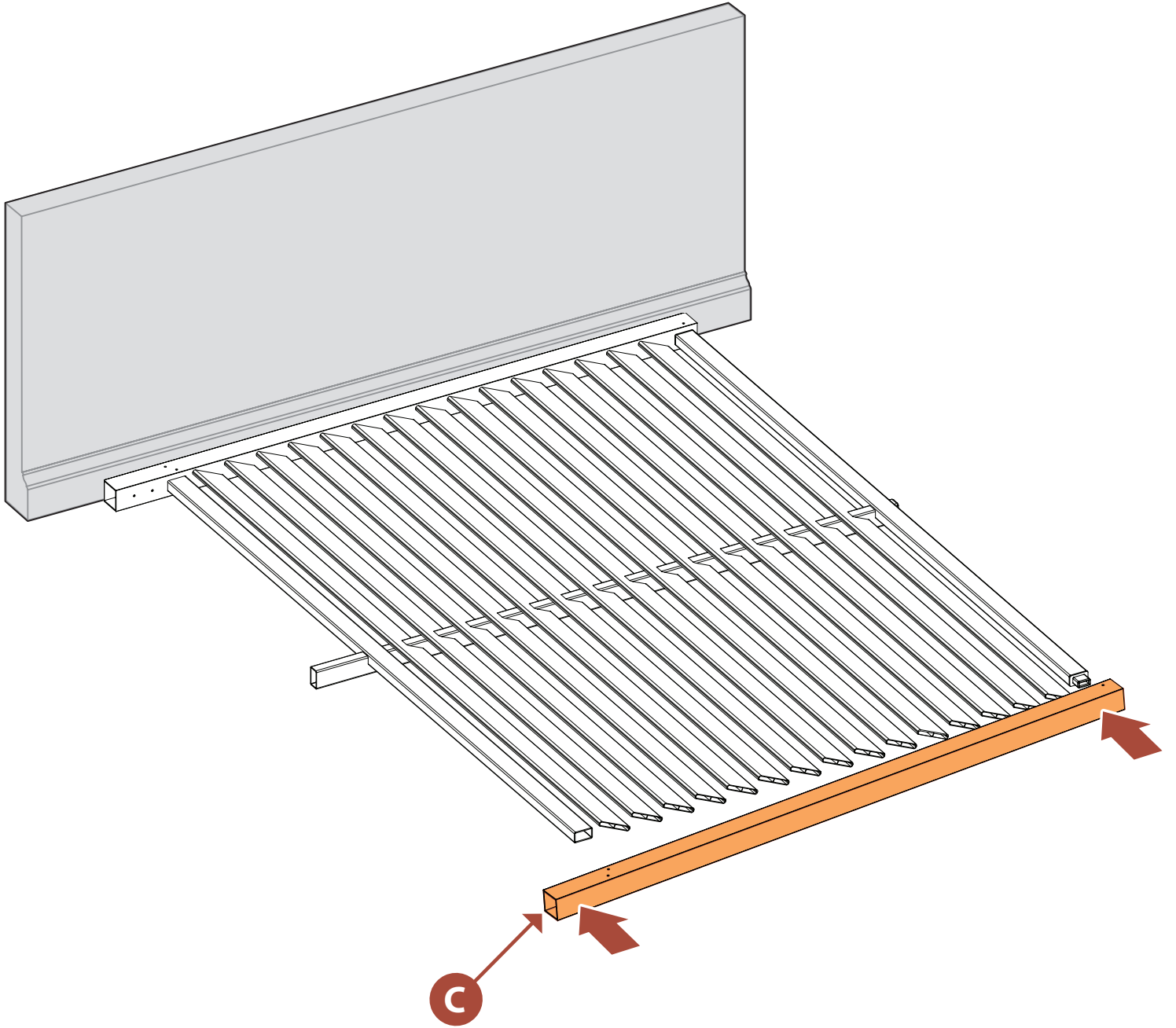
B x1




6

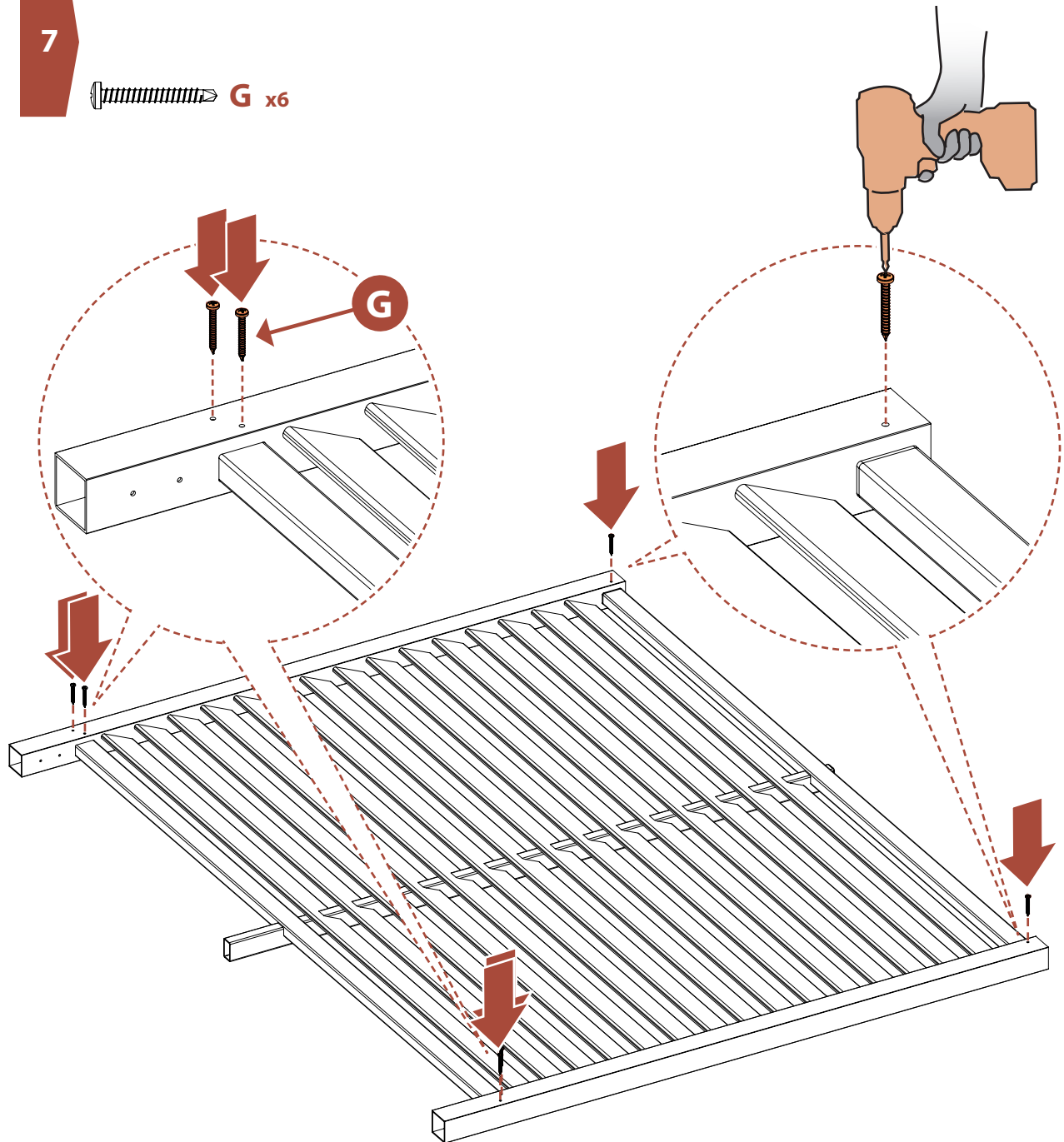


C x1

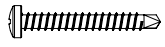


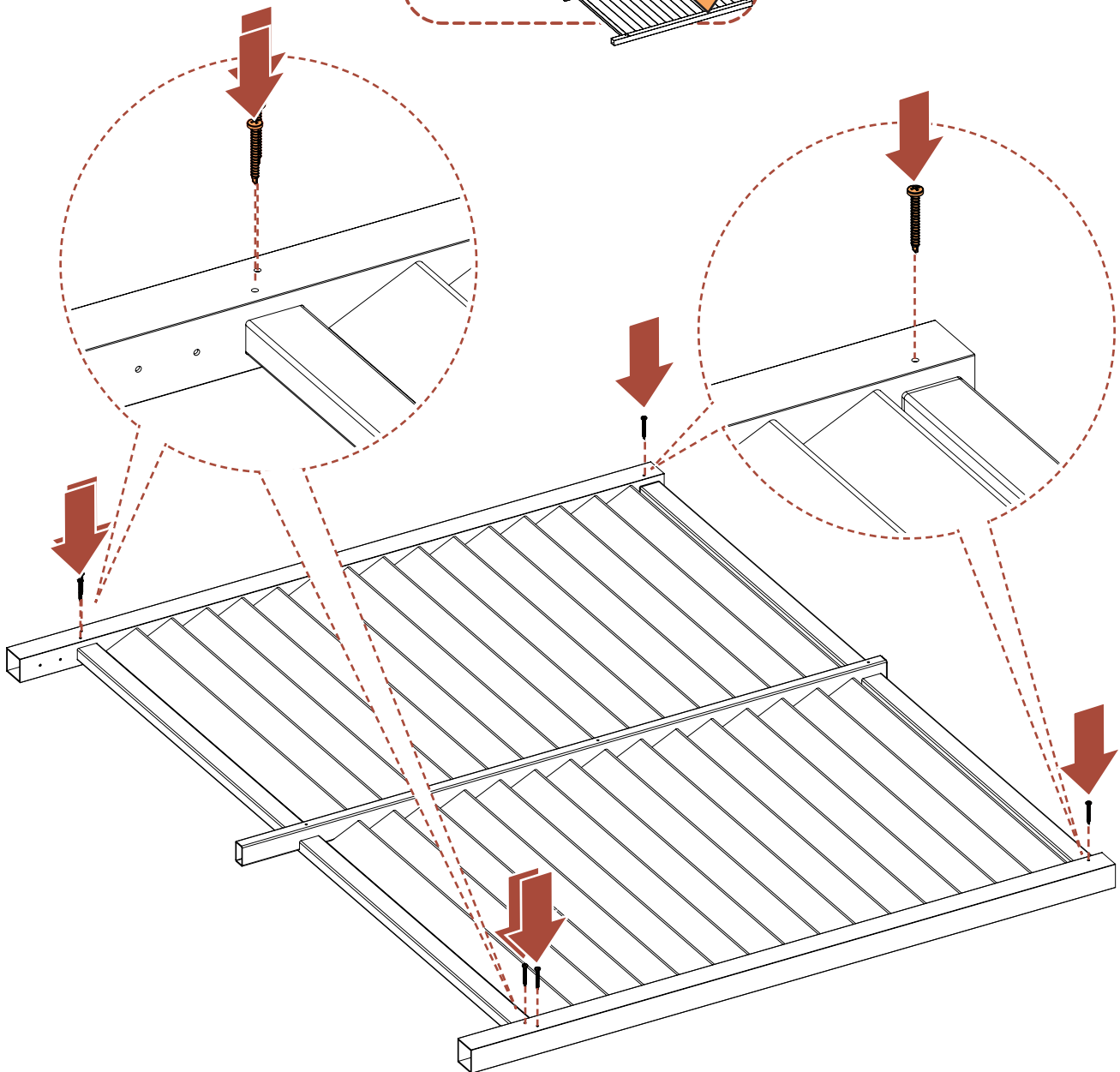
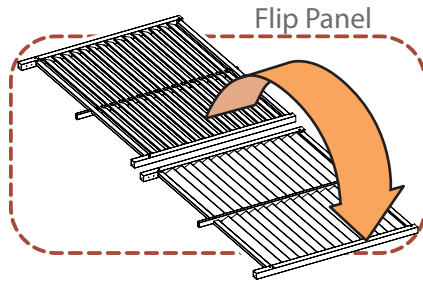
7

 G x6

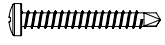


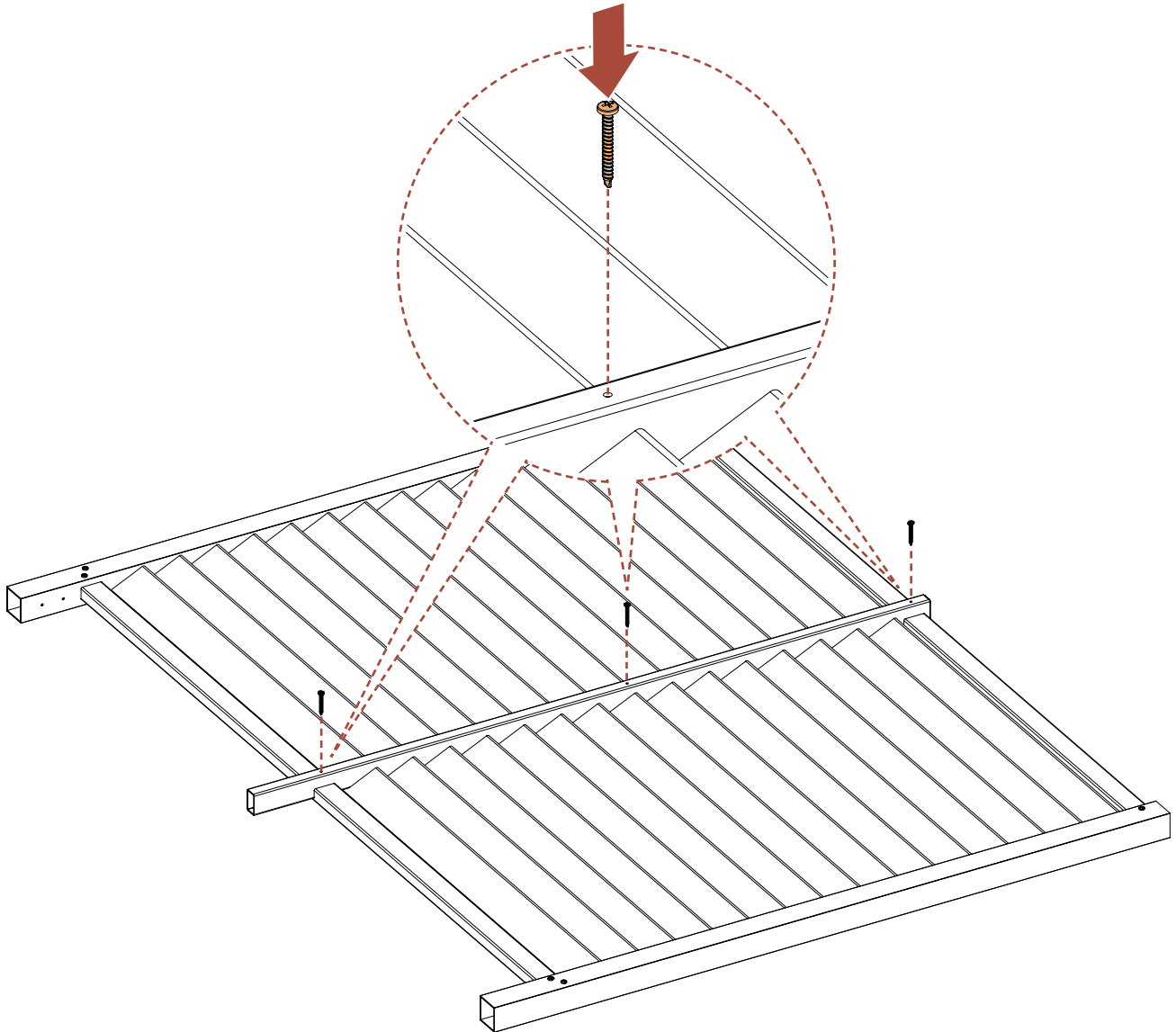
8

 G x6




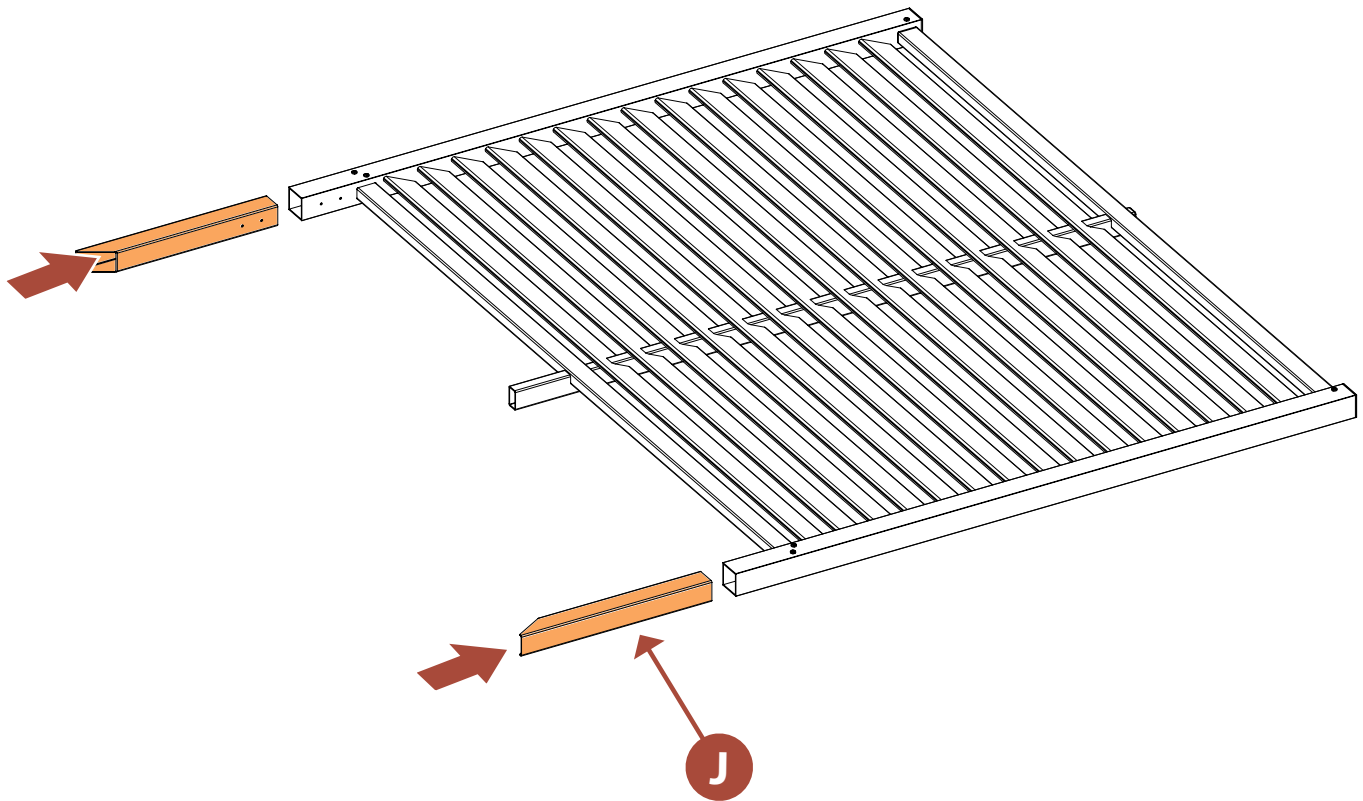
9

 G x3

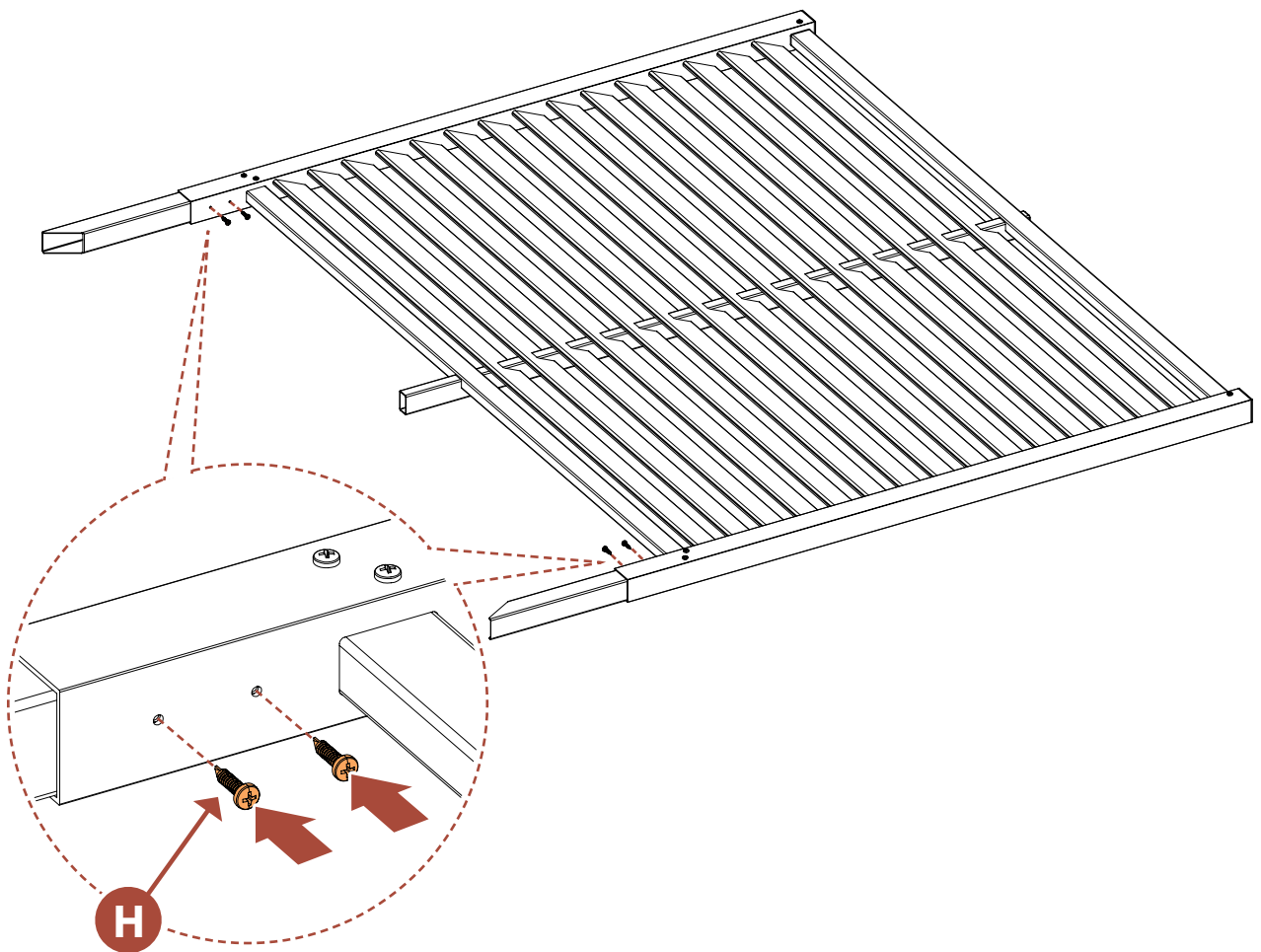
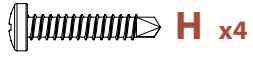


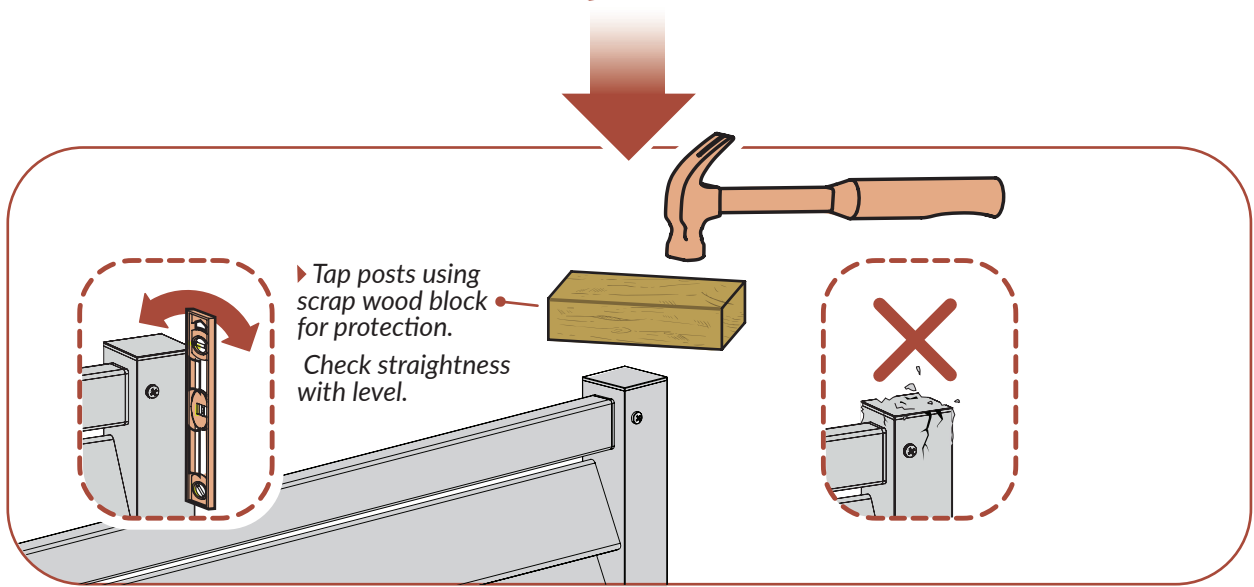
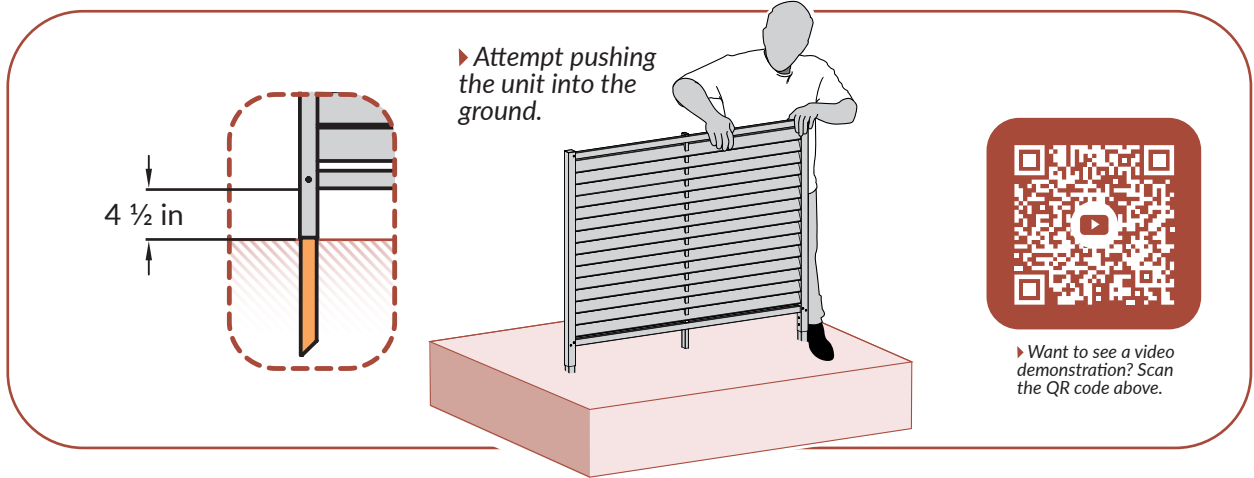
10

 **J** x2

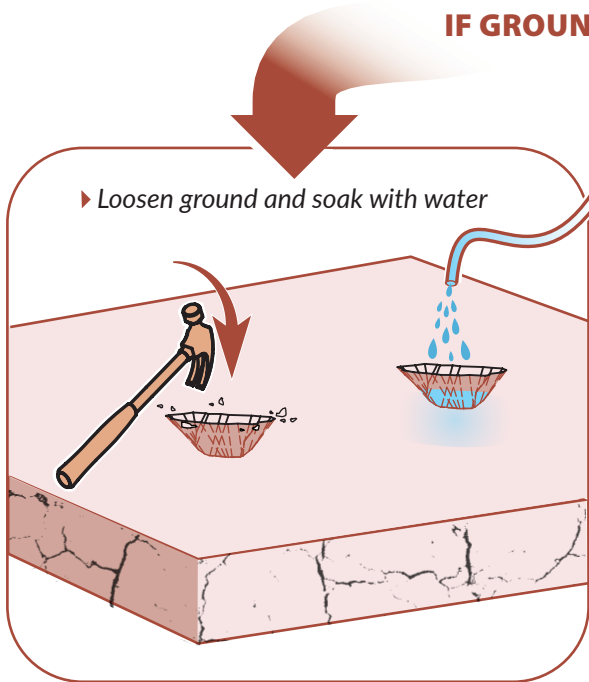


11

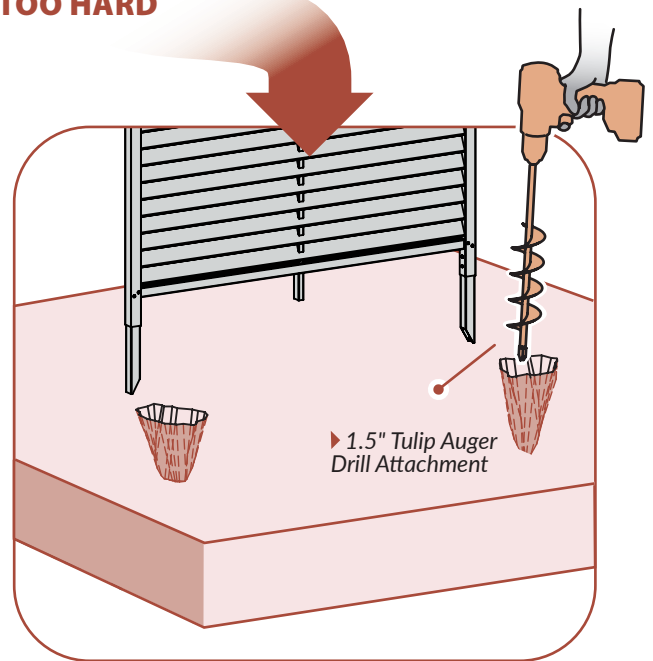




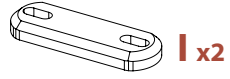
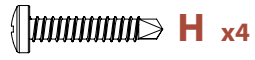
IF GROUND IS TOO HARD



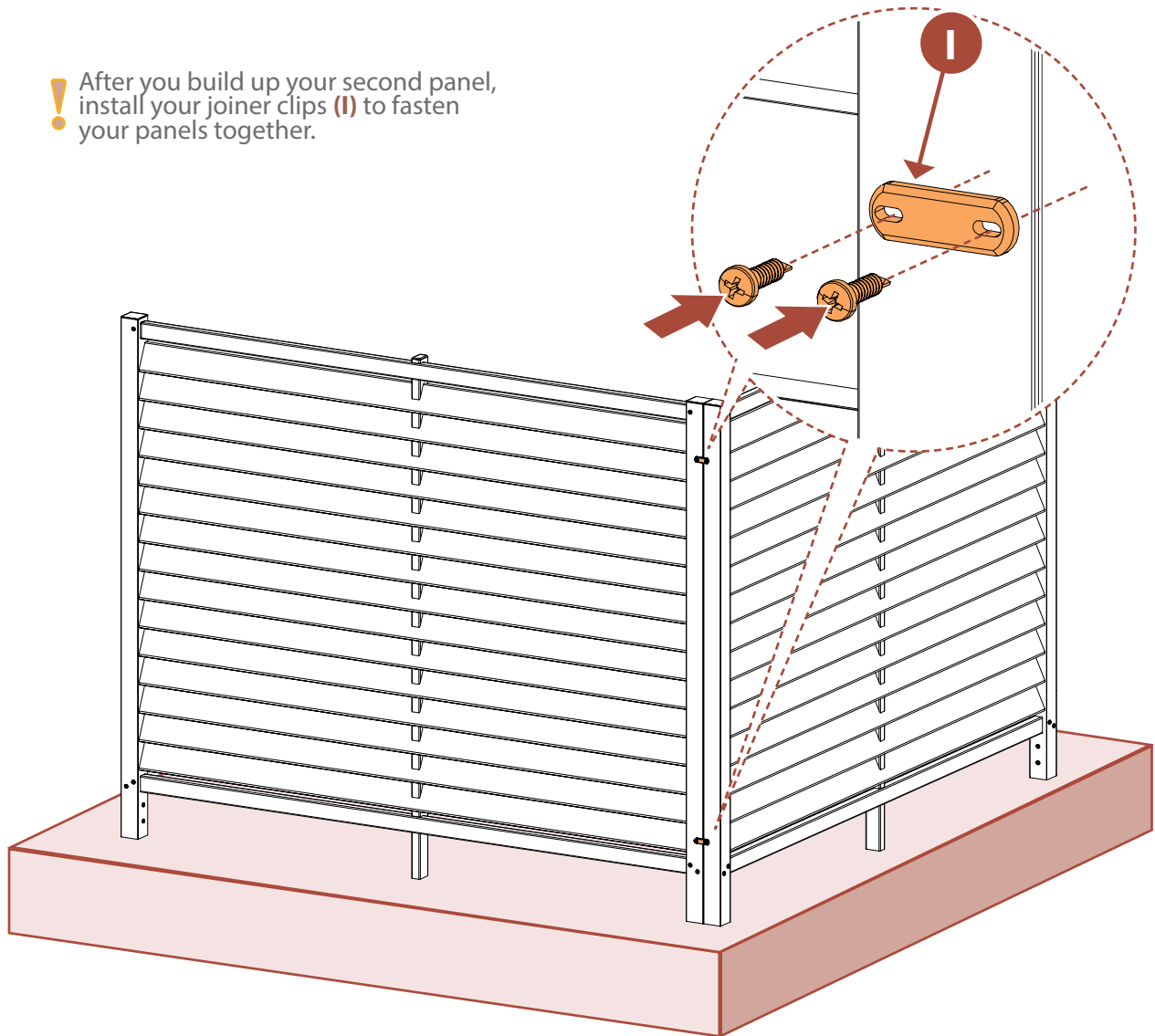
OR



Multi-Screen Option



! After you build up your second panel, install your joiner clips (**I**) to fasten your panels together.



ENCLO

HIDE IT WITH STYLE

www.encloscreens.com

support@encloscreens.com



704-892-5222
877-234-6196



6935 Reames Rd. Ste. K.
Charlotte, NC 28216

